

AUTOZON[®]

ENTRANCE AUTOMATION



CURTAIN & BLINDS OPERATOR CATALOG

www.autozonind.com

Autozon[®] is one of the leading manufacturers of high quality Entrance Automation Products . Our Products are designed with engineering excellence in such a way to deliver an excellent & intellectual performance to the users. Our products are sophisticated and sturdy enough to withstand all kind of tough weather condition across the country. We highly focus on current and future automation technologies to enhance our new product development strategy to support the human race for a better and comfort life. We have all in-house facility for manufacturing the products with ensured delivery as per approved design. Our State-of-the-art R&D facility system help to deliver the best of bests products & Service.

Our Vision:

Our vision is to become 100% Make in India Company. Our innovative automation solutions with passion to enhance the quality of life. We will become the most aspirational Indian Entrance Automation Solution providing company making on-time, on-budget deliveries to our Customers.

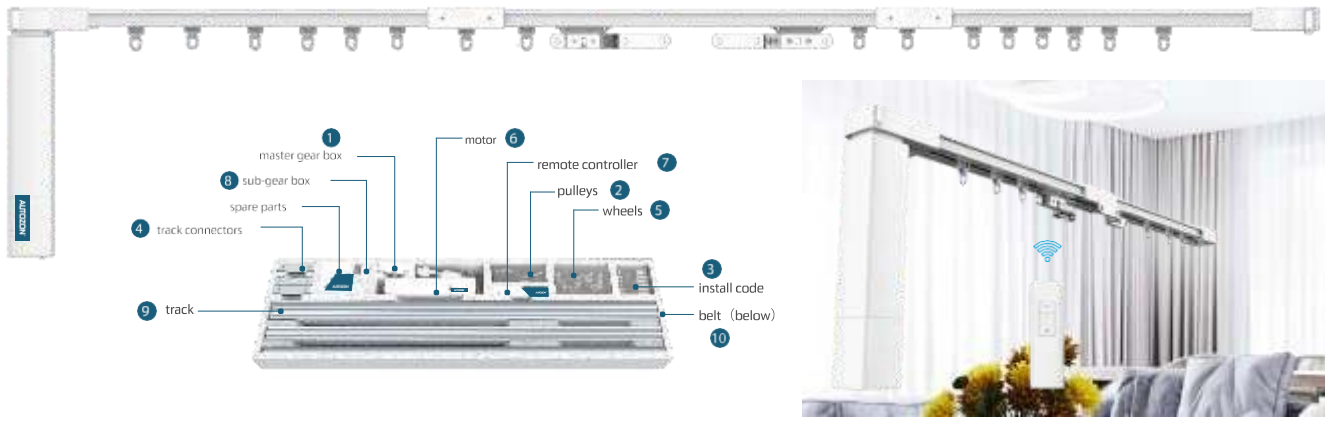
Our Mission:

- We aim to create 100% Happy customer.
- We aim to be a leading solution provider for automation solution throughout India.
- We aim to be the partner of choice for our clients by offering them with updated technologies.
- We aim to provide prompt after Sales & Service
- We aim to sell the products with affordable rate which suits the customer budgets.
- We aim to maintain & deliver 100% quality products.
- Our strength lies in our workforce & we aim to nurture, train & mentor them.

Quality Policy:

Our purpose is to provide customer by providing automation solution through,

- Complete solution for the Entrance Automation.
- Delivering- High-Quality, Safe and efficient automation products.
- Focusing on continuous improvement.
- Committed to meet all regulatory requirements of customers.
- To meet interested party needs & expectation.
- We upgrade to meet and exceed all requirements and expectations of our customers.



Curtain Operator

Standardization of non-standard products

Quick assemble track
Motors and tracks produced by original factory

Initial design original match
Set sale quick and fast

Technical Specifications:

Rated power 40 W Rated torque 1.2 Nm

Maximum load 50 kg Rated voltage AC 220 V

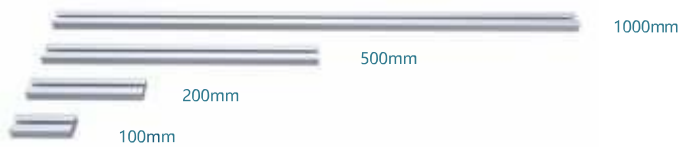
Warranty 3 years Protection level IP 20

Number of accessible devices

Depends on 5 wires Function

Remote control+Dry contact switch
Strong current switch

Professional track



Remote control

- Wireless remote
- Super Silent
- Smooth Running
- Radio Control
- Manual Operation
- Large Load
- Assembled Fast
- High Technology



Curtain operator kit Specification

Model No.	Size	Track Length (mm)	Track Connector (mm)	Adjustable Track					Suitable Size (M) (Wall To Wall)
				Track Length (mm)			Track Connector (mm)		
				1000	200	100	200	100	
AZCO3.2	3.2m	2	2	1	2	1	1	1	2.2 m - 3.2m
AZCO5.2	5.2m	4	4	1	2	1	1	1	4.2 m - 5.2m
AZCO7.2	7.2m	6	6	1	2	1	1	1	6.2 m - 7.2m

Note: 1.500mm,200mm,100mm tracks are adjustable track, 200mm,100mm are track connectors
2.Optional accessories:Side mounting brack, 90°angle



Features:

- o Tubular operator for blinds and rolling shutters
- o Super quiet motion drives for blinds
- o Various operator types for different size of blinds
- o Mechanical Limit switch, manual setting of upper & lower limits
- o Control via hand-held transmitter and wall-mounted device
- o Available in wireless or wired versions
- o Option of blackout fabric, sunshine fabric, etc.



Optional Integration



Wireless remote



Super silent



Smooth running



Radio control



Large load



Assembled fast



High technology

Technical Information

Description		AZ BO 35R6	AZ BO-35S6	AZ BO-35S13
Rated Torque	Nm	6	6	13
Output Speed	rpm	28	28	14
Tube Diameter	mm	35	35	35
Rated Voltage	V	220	220	220
Frequency	Hz	50	50	50
Rated Power	W	115	115	126
Rated Current	A	0.5 A	0.5 A	0.56 A
Continuous Running Time	min	4-6	4-6	4-6
Protection Degree	IP	IP44	IP44	IP44



Wireless remote



Super Silent



Smooth Running



Radio Control



Manual Operation



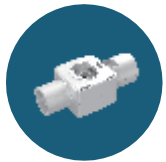
Large Load



Assembled Fast



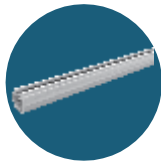
High Technology



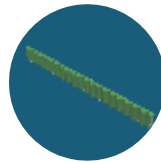
Center Opening



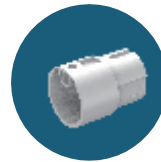
Carrier



Track



Belt



Subsidiary Opening



AZ COSC29 SINGLE CHANNEL



AZ CODC 26 TWOCHANNEL



AZ COMC 27 MULTICHANNEL

Manual start

Pull curtain about 10cm by hand, curtain will open and close automatically.

Manual operation if power cut

When there is no power, you can open and close by hand easily.

Middle position set

Set a middle stop location during open and close position to make the better light.

Multiple controls

Choose a remote control, switch and smart remote control accordingly.

Automatically set the memory running point

After power off, the motor will set running point of open and close again when power on.

Track length free spiced

DIY design, get any length needed.

Model No.	Track Size
AZ RPCO 3 M	1500 mm + 1500 mm
AZ RPCO 5 M	2500 mm + 2500 mm

Technical Specifications:

Rated power	40W	Rated torque	1.2 Nm
Maximum load	50kg	Rated voltage	AC 240V
Warranty	3 years	Protection level	IP 20



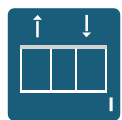
Technical Specifications:

Rated Power : 270 W Rated Torque : 50 Nm
 RPM : 12 rpm / min Rated Voltage : 220 V
 Warranty : 3 Yrs Protection Level : IP 44

ACCESSORIES

Easy to install
 High strength belt, strong and durable
 Easy to adjust

Terminal for tubular motor
 Easy to connect wires



Assemble lift



Wireless remote



Super silent



Smooth running



Manual operation



Radio control



Large load



Assembled fast

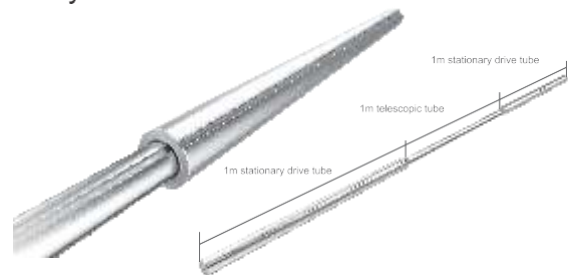


High technology

- o Easy to install and remove the motor
- o Be used for straight curtain tracks
- o The motor has been patented on clutch and the stroke can be set automatically and can be controlled manually and by remote
- o Radio receiver can make inside or outside of motor can be connected with other control systems easy to make smart control
- o Minimal noise and vibrate
- o High quality with full coating track can move by belt stainless steel wires

Standardized assemble shceme
 Systematic design

Adjustable size
 Easy to assemble



PATENTED TELESCOPIC STRUCTURE SYSTEM



Model No.	Assemble Size	Track Size
AZLCO 3M	3 m	2.078 m - 3.018 m
AZLCO 5 M	5 m	3.078 m - 4.964 m

**NORMAL POWER MOTOR
AZ CO 1.2 Nm 5 W**

Parameters

Rated Torque	1.2 Nm
Rated Voltage	AC 100 - 240 V
Rated Power	40 W
Max Load	50 KG
Remote Distance	>50 m
Protection Class	IP 20



**HIGH POWER MOTOR
AZ CO 2 Nm 5 W**

Parameters

Rated Torque	2 Nm
Rated Voltage	AC 100 - 240 V
Rated Power	80 W
Max Load	120 KG
Remote Distance	>50 m
Protection Class	IP 20



SIDE MOUNTING BRACKET



ANGLE CONNECTOR



**AZ CO SWO2
SINGLE TRACK WALL CLAMP**



**AZ CO 9006
90° TRACK**



**AZ CO DWO3
DOUBLE TRACK WALL CLAMP**



**AZ CO 13510
135° TRACK**

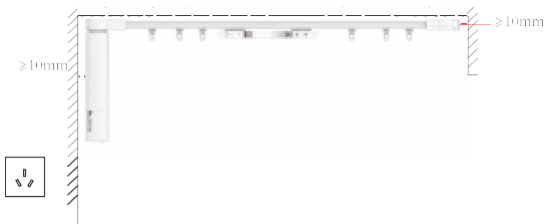


Single track

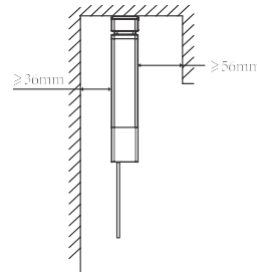


Distance between track cap and side wall need to keep more than 10mm

Distance between track cap and side wall need to keep more than 10mm



Notice:
The motor should be install nearby the power port



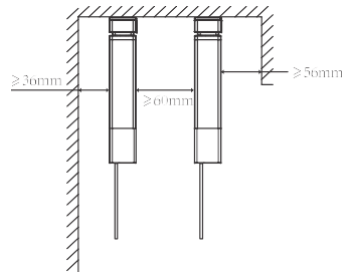
Notice:
The roof should be strong enough for hold the full weight of tracks motor and curtain fabrics

Double track



Distance between track cap and side wall need to keep more than 10mm

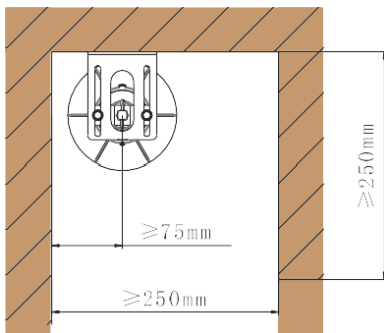
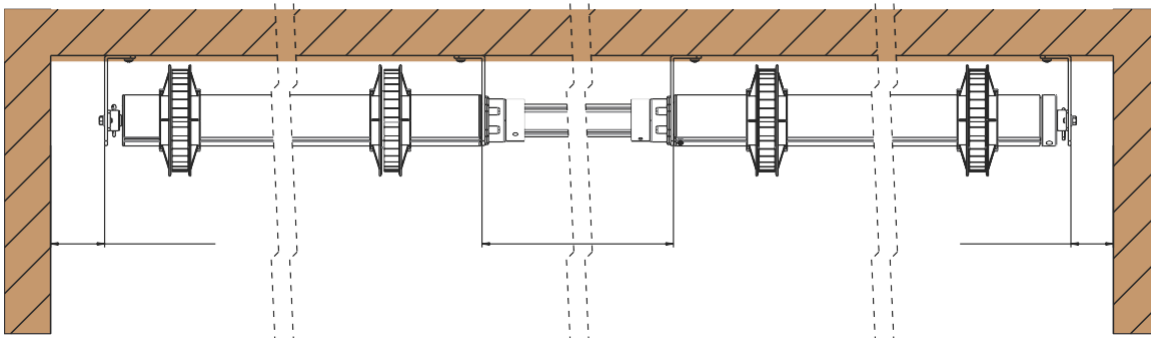
Distance between track cap and side wall need to keep more than 10mm



Double tracks (double curtains)

Notice:
The roof should be strong enough for hold the full weight of tracks motor and curtain fabrics

LIFT CURTAIN OPERATOR INSTALLATION

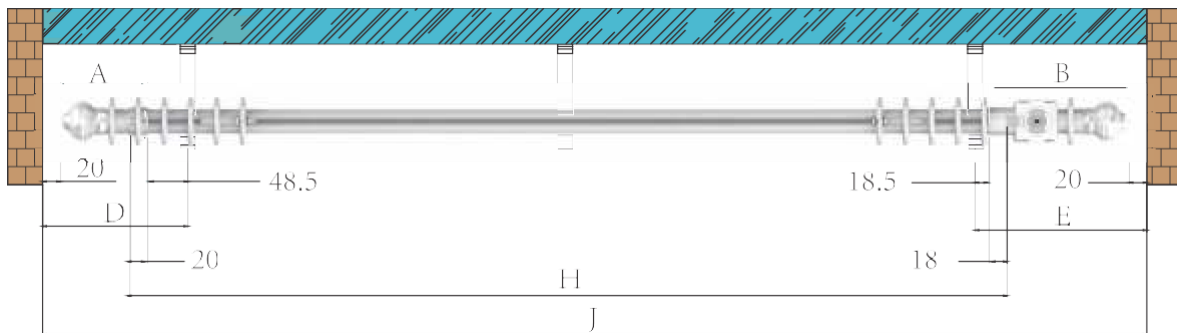


Notice:

1. The distance between walls and the two ends of device should be more than 50mm.
2. The distance between the device and the back wall should be more than 75mm, the width and depth of curtain box should be more than 250mm.

ROME POLE CURTAIN OPERATOR INSTALLATION

Full window

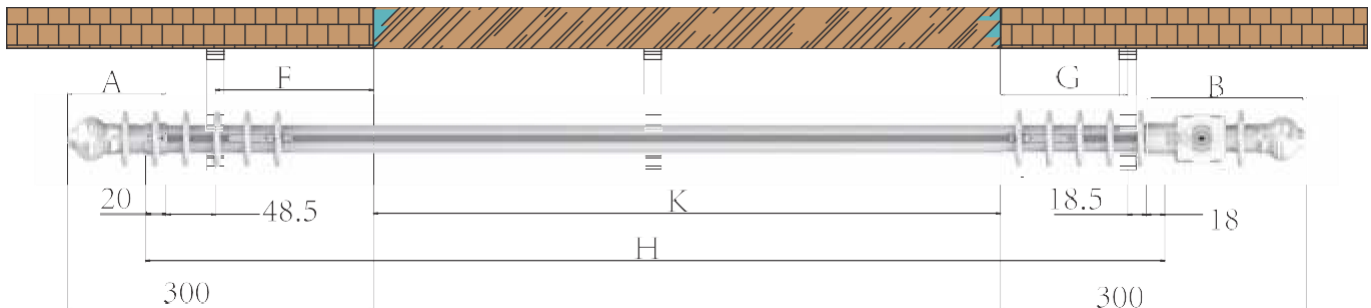


A:Length of subsidiary opening with tail
 B:Length of center opening with tail
 D:The distance between subsidiary opening and the wall
 E:The distance between center opening and the wall
 H:Length of the pole
 J:Length of the wall
 Length unit: (mm)

Length of each belt for center open (two belts): $H+60$ (mm)
 Length of the belt for single-side open (one belt): $2*(H+60)+25$ (mm)

For example, the length of wall is 3000mm, pole length is 2680mm, use the standard tail $A=130$ mm, $B=185$ mm, keep 20mm distance for each end of the pole, the distance between center opening and the wall is 220mm, the distance between subsidiary opening and the wall is 200mm

The window on the middle of the wall



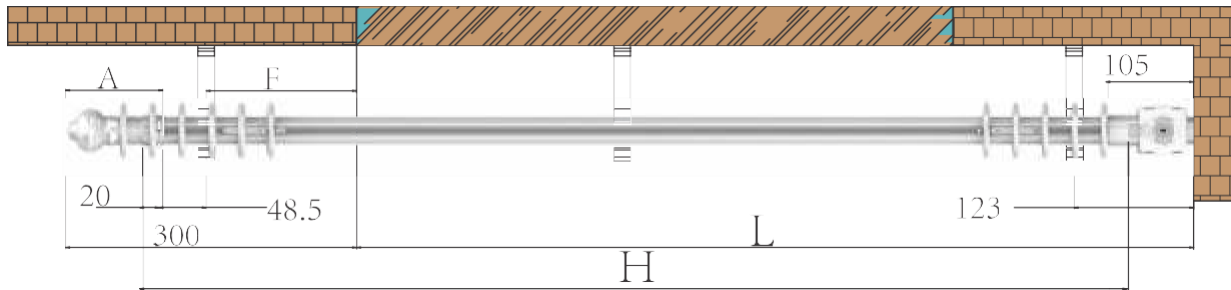
A:Length of subsidiary opening with tail
 B:Length of center opening with tail
 F:The distance between subsidiary opening and the edge of window
 G:The distance between center opening and the edge of window
 H:Pole length
 K:Window length
 Length unit: (mm)

$F=300-A-48.5$ (mm) $G=300-B-18.5$ (mm) $H=K+300 \times 2-A-B+20+18$ (mm)
 Length of each belt for center open (two belts): $H+60$ (mm)
 Length of the belt for single-side open (one belt): $2*(H+60)+25$ (mm)

For example, the length of window is 1200mm, pole length is 1520mm, use the standard tail $A=130$ mm, $B=185$ mm, the each end of pole has over the edge of window around 300mm, the distance between center opening and the window edge is 100mm, the distance between subsidiary opening and the window is 120mm.

ROME POLE CURTAIN OPERATOR INSTALLATION

The window on the one side of wall

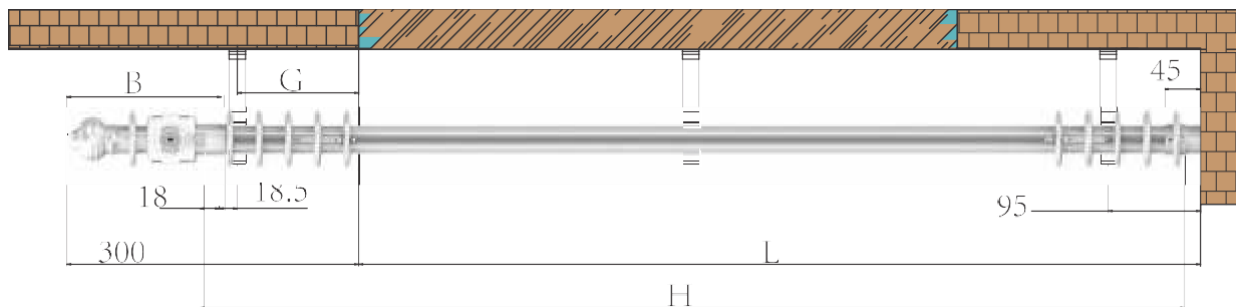


A: Length of subsidiary opening and tail
 F: The distance between subsidiary opening and the edge of window
 H: Pole length
 L: The distance between window edge to the side wall
 Length unit: (mm)

$F=300-A-48.5$ (mm) $H=L+300-105-B+20+18$ (mm) Length of each belt for center open (two belts): $H+60$ (mm)

distance for each end of the pole, the distance between center opening and the wall is 220mm, the distance between subsidiary

For example, use the standard tails, the far edge of window to the side wall has 2000mm, pole length is 2100mm, $A=130$ mm, $B=185$ mm, the center opening beside the side wall, the uncover part is 300mm, the distance between the bracket near to center opening and the wall is 120mm, the distance between the bracket near to subsidiary opening and the window edge is 120mm



B: Length of center opening with tail
 G: The distance between center opening and the edge of window
 H: Pole length
 L: The distance between window edge to the side wall
 Length unit: (mm)

$G=300-B-18.5$ (mm) $H=L+300-A+20+18$ (mm) Length of the belt for single-side open (one belt): $2 \times (H+60)+25$ (mm)

For example, use the standard tails, the far edge of window to the side wall has 2000mm, pole length is 2105mm, $A=130$ mm, $B=185$ mm, the subsidiary opening beside the side wall, the uncover part is 300mm, the distance between the bracket near to center opening and the window edge is 100mm, the distance between the bracket near to subsidiary opening and the side wall is 70mm

AUTOZON[®]

ENTRANCE AUTOMATION

Our Range of Products:



SLIDING GATE OPERATOR



SWING GATE OPERATOR



SLIDING DOOR OPERATOR



SWING DOOR OPERATOR



CURTAIN OPERATOR



BLINDS OPERATOR



BOOM BARRIER



GARAGE DOOR & OPERATOR



ROLLING SHUTTER & OPERATOR



HIGH SPEED DOOR & OPERATOR



SECTIONAL DOOR & OPERATOR



RETRACTABLE GATE



BOLLARD



DOCK LEVELLER



GATE HARDWARES



ACCESSORIES

Applications:



RESIDENTIAL



INSTITUTIONS



HOSPITALS



BUSINESS CENTERS



MALLS



INDUSTRIES



THEATERS



HOTELS



PUBLIC PARKING



SHOWROOMS

AUTOZON[®]



www.autozonind.com



ABLE Automation[™]

AN ISO 9001-2015 CERTIFIED COMPANY

THRISSUR -KERALA

9072056030

9072806030

9072206030

automationable@gmail.com

www.ableautomation.net